

Installation Instructions for 63008 Mustang Line Lock Adapter Fitting Kit

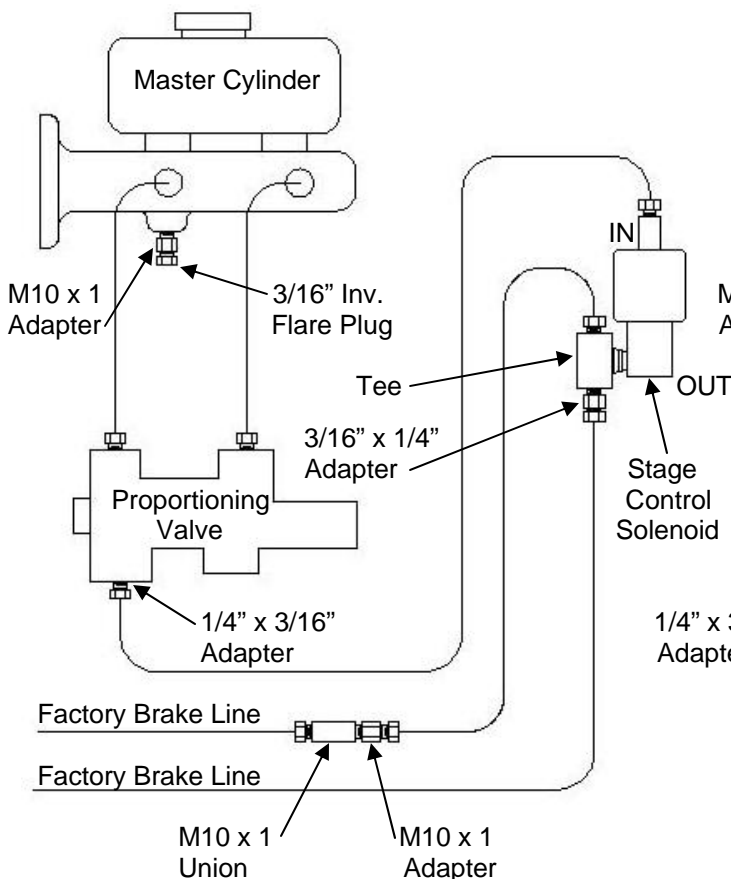
For 1983-98 Mustang W/O ABS & 1996-99 Mustang W/ABS (Exc. Bosch ABS)

This adapter fitting kit is designed to be used in conjunction with the JEGS installation kit #555-63005 or #555-63006, which is recommended when installing the JEGS Stage Control brake holding device #555-63002.

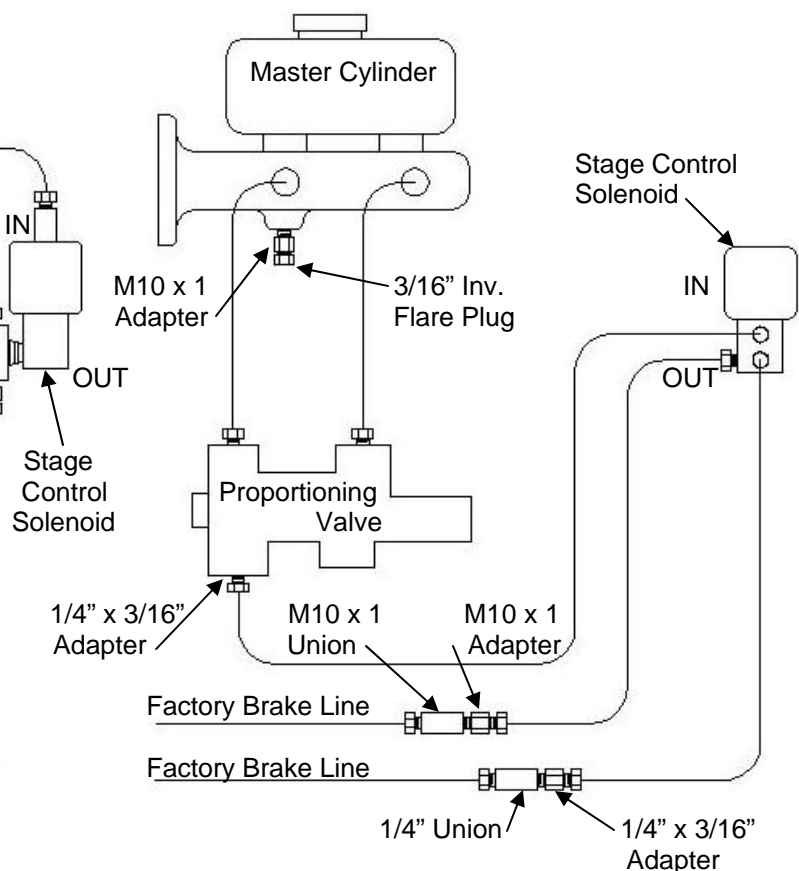
Installation Instructions:

Use only SAE-approved seamless steel brake lines with double flared ends that are of the correct size and length, and come pre-assembled with inverted flare tube fittings. DO NOT CUT brake lines. DO NOT USE copper tubing. When bending brake lines, use a tubing bender to avoid kinking or crushing. Use thread sealer on threaded fittings. A line fitting wrench is recommended to be used when tightening all brake line fittings. **CAUTION:** The use of an excessive amount of thread sealer can contaminate the solenoid valve or brake system. Use thread sealer sparingly.

1983-98 Mustang W/O ABS:
with **single outlet** stage control solenoid.

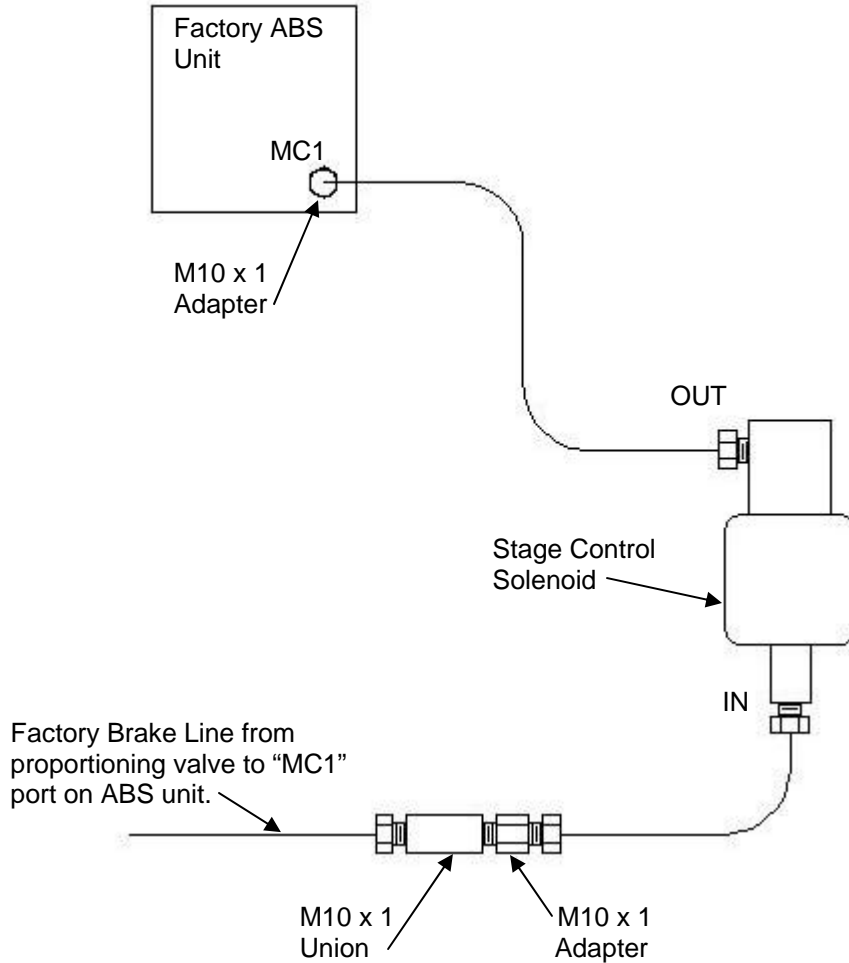


1983-98 Mustang W/O ABS:
with **multi-outlet** stage control solenoid.



1-800-345-4545 jegs.com

1996-99 Mustang W/ABS (Exc. W/Bosch ABS Unit):



Final Installation Procedure

After installation of brake lines and fittings is complete, connect electric wiring of solenoid according to instructions and diagrams included with the Stage Control unit. Bleed all air out of the brake system. Follow vehicle manufacturers instructions for correct procedure on bleeding brake system. Be sure to check all connections for leakage under pressure. **THERE MUST BE NO LEAKAGE.** Before driving vehicle, completely check the brake system for proper operation and be sure that you have a good solid brake pedal. Test the Stage Control system several times to be sure that it operates correctly.