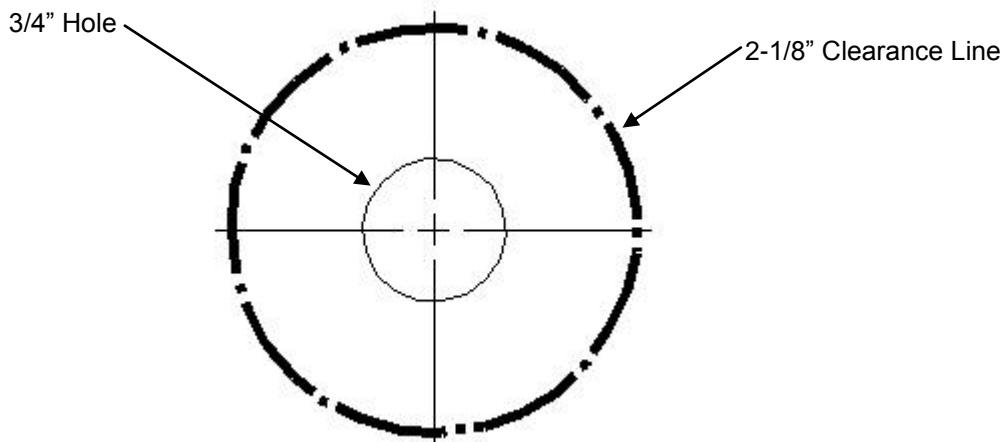
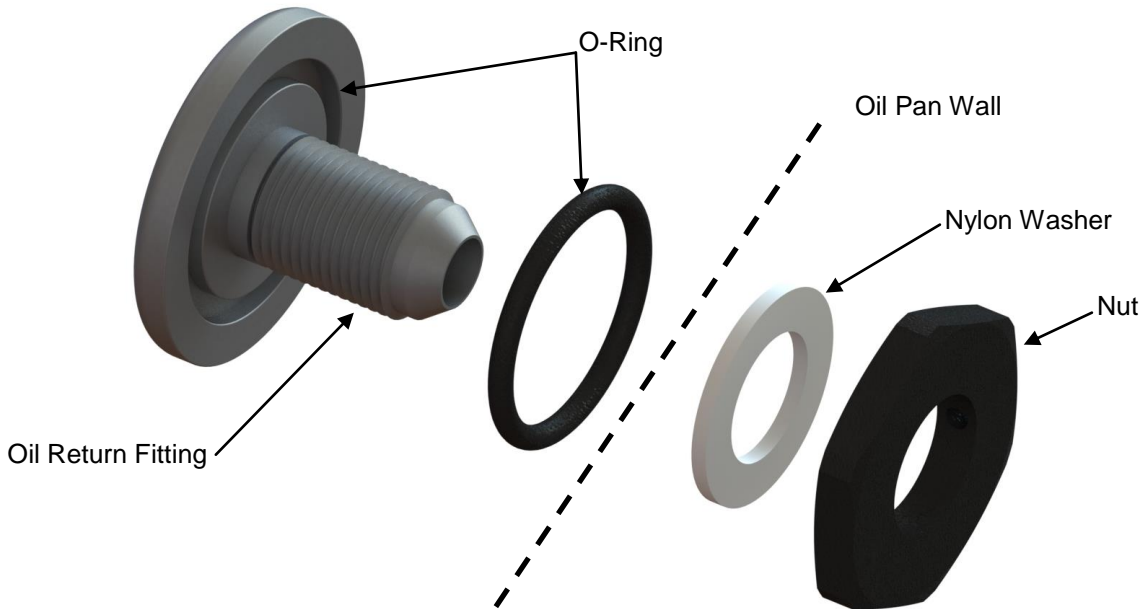


## **Installation Instructions for 52233 Universal Oil Return Fitting**

### **Installation Instructions:**

1. You must remove the oil pan for installation.
2. Using the template below to locate the center location, choose a flat clean surface away from any moving parts and above the oil line. Drill a 3/4" hole through the oil pan.
3. Place the o-ring into the groove on the oil return fitting.
4. Slide the oil return fitting through the oil pan from the inside.
5. Place the nylon washer followed by the nut onto the oil return fitting and tighten. It is recommended to use a Blue removable thread locker such as JEGS 555-28084.



**Template (Print at 100% Scale)**