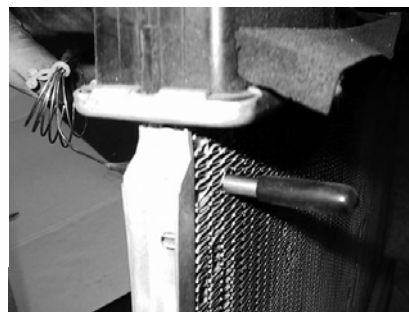
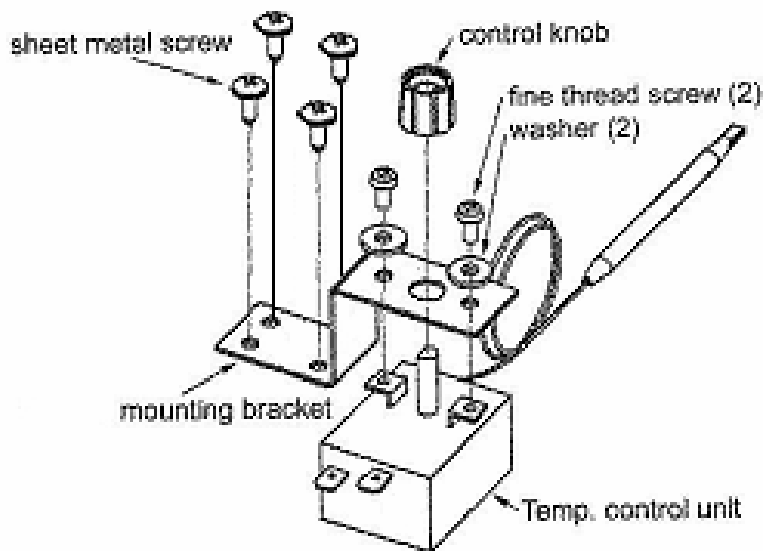


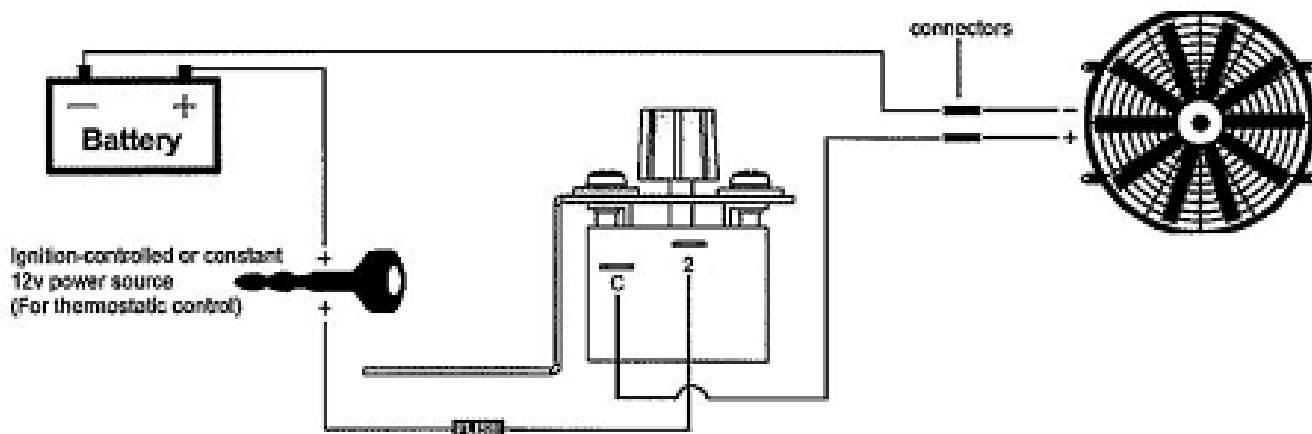
# Installation Instructions for 52125 Adjustable Temperature Control Switch

## Temperature control switch assembly:

1. Attach the temperature control unit to the mounting bracket using the hardware provided, and then push the knob onto the control shaft. See illustration below.
2. The control can be mounted to any flat surface in the engine compartment that is within 18" of the radiator inlet hose. Use the 3 mounting screws provided.
3. Insert the temperature sensor as close to the inlet hose as possible, then push the rubber insulator cap over the end of the sensor. See photos below.



## Wiring the adjustable temperature control:



## To adjust temperature control:

1. Turn the adjusting knob on the controller completely clockwise. Idle the vehicle.
2. When the engine temperature gets above normal, turn the adjusting knob counter-clockwise until fan activates. Adjusting knob may be adjusted counter-clockwise to reduce the temperature at which fan activates.