

Installation Instructions for 41303, 41313 & 41323 4-Gauge Panels

Read these instructions completely before installing any components of this kit.

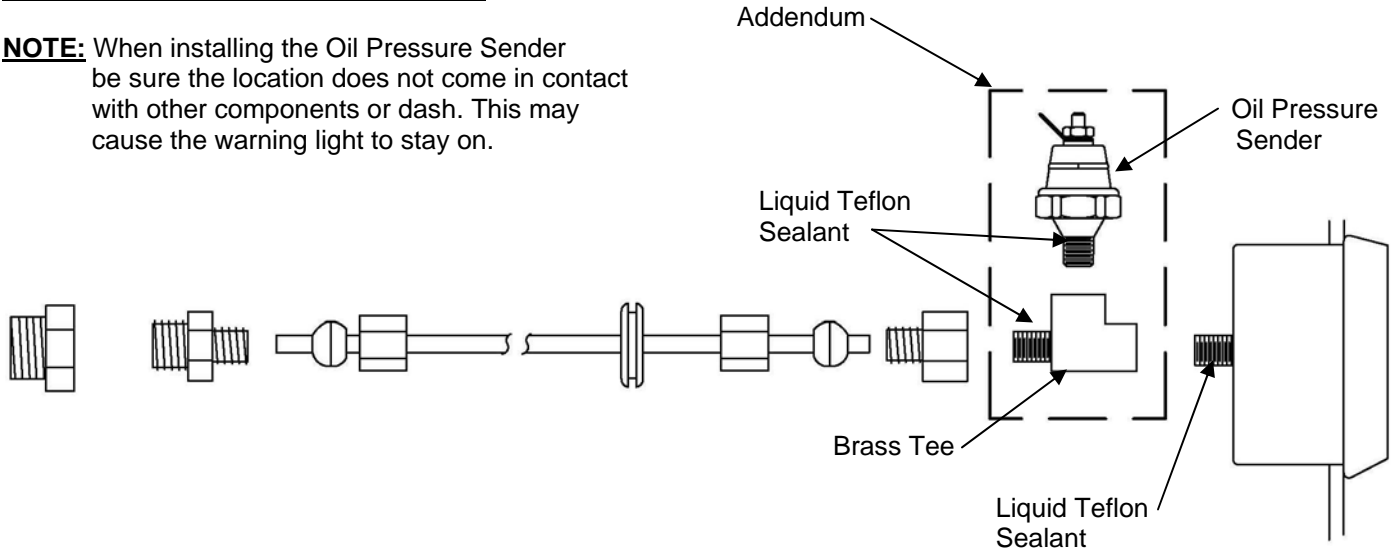
NOTE: Before assembly use the panel as a template to mark the mounting and gauge locations before drilling or trimming of the dash.

Mechanical Connection Instructions:

Each gauge included in this kit contains its own individual instruction sheet. Follow the instructions included with the gauge except for the following addendums.

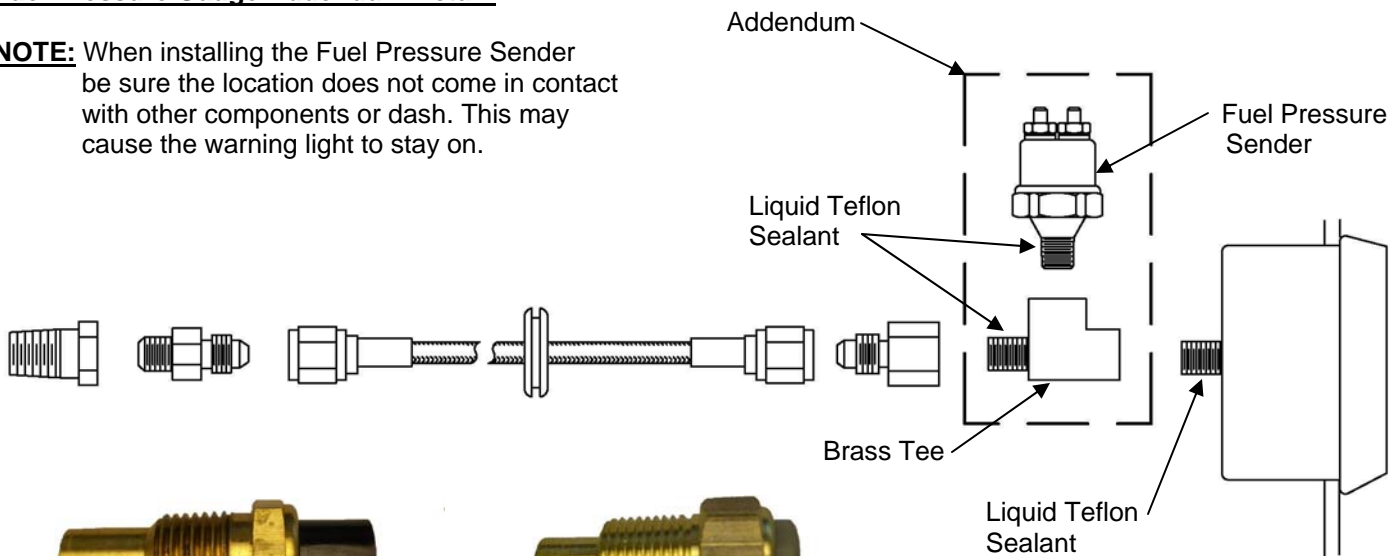
Oil Pressure Gauge Addendum Detail:

NOTE: When installing the Oil Pressure Sender be sure the location does not come in contact with other components or dash. This may cause the warning light to stay on.



Fuel Pressure Gauge Addendum Detail:

NOTE: When installing the Fuel Pressure Sender be sure the location does not come in contact with other components or dash. This may cause the warning light to stay on.



Water Temperature Sender
1/2" NPT



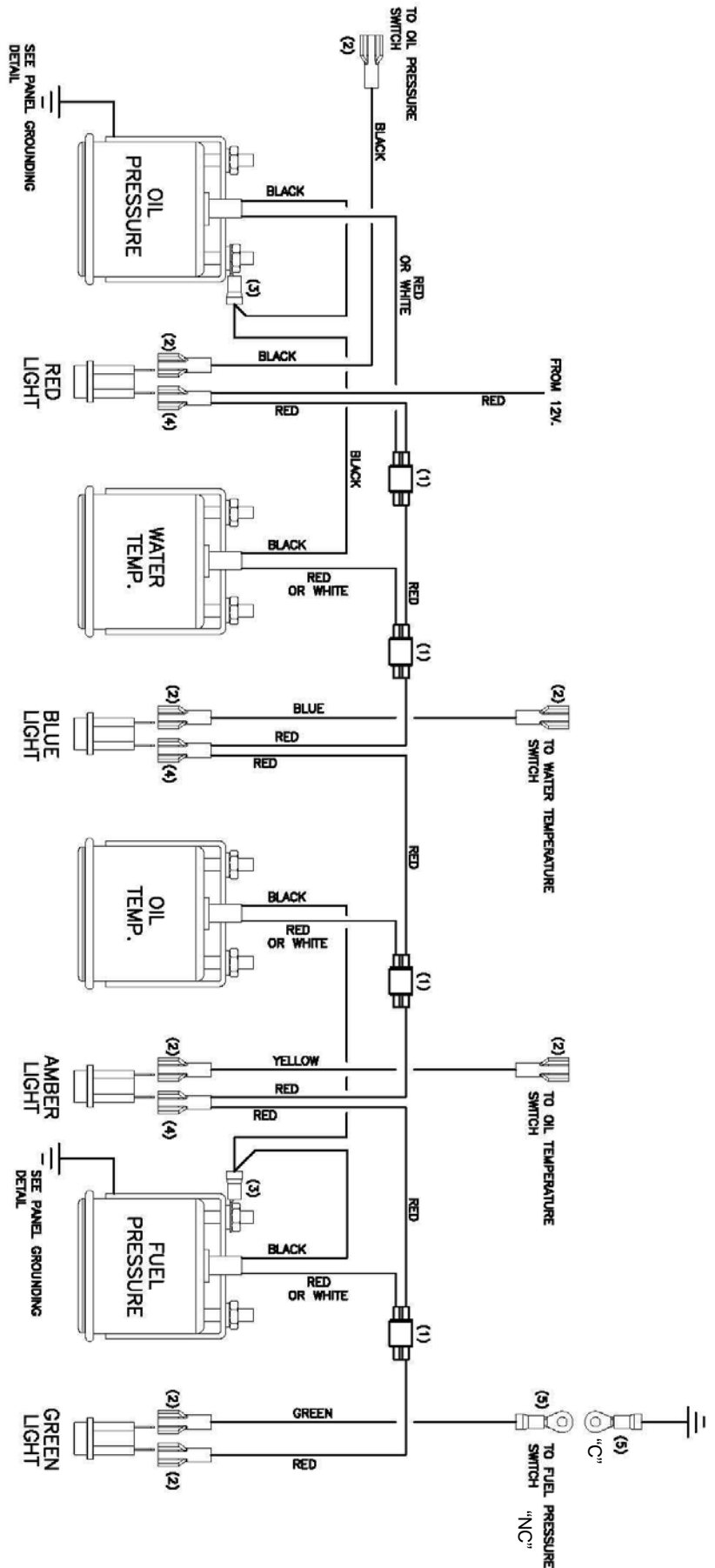
Oil Temperature Sender
3/8" NPT

WARNING! Fuel pressure gauge must be used with a fuel pressure isolator.

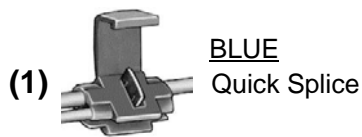
Electrical Connection Instructions:

CAUTION: The RED wire of this kit should be fused before connecting it to the positive(+) side of the 12V. DC battery. We recommend using a 4 amp fuse in-line with the RED wire.

Electrical Schematic:



Electrical Schematic Symbol Legend:



Panel Grounding Detail:

If attaching the panel to a plastic dash; a ground wire (not included) connected to chassis ground must be attached to the lower left hand corner of the gauge panel as shown here.

