

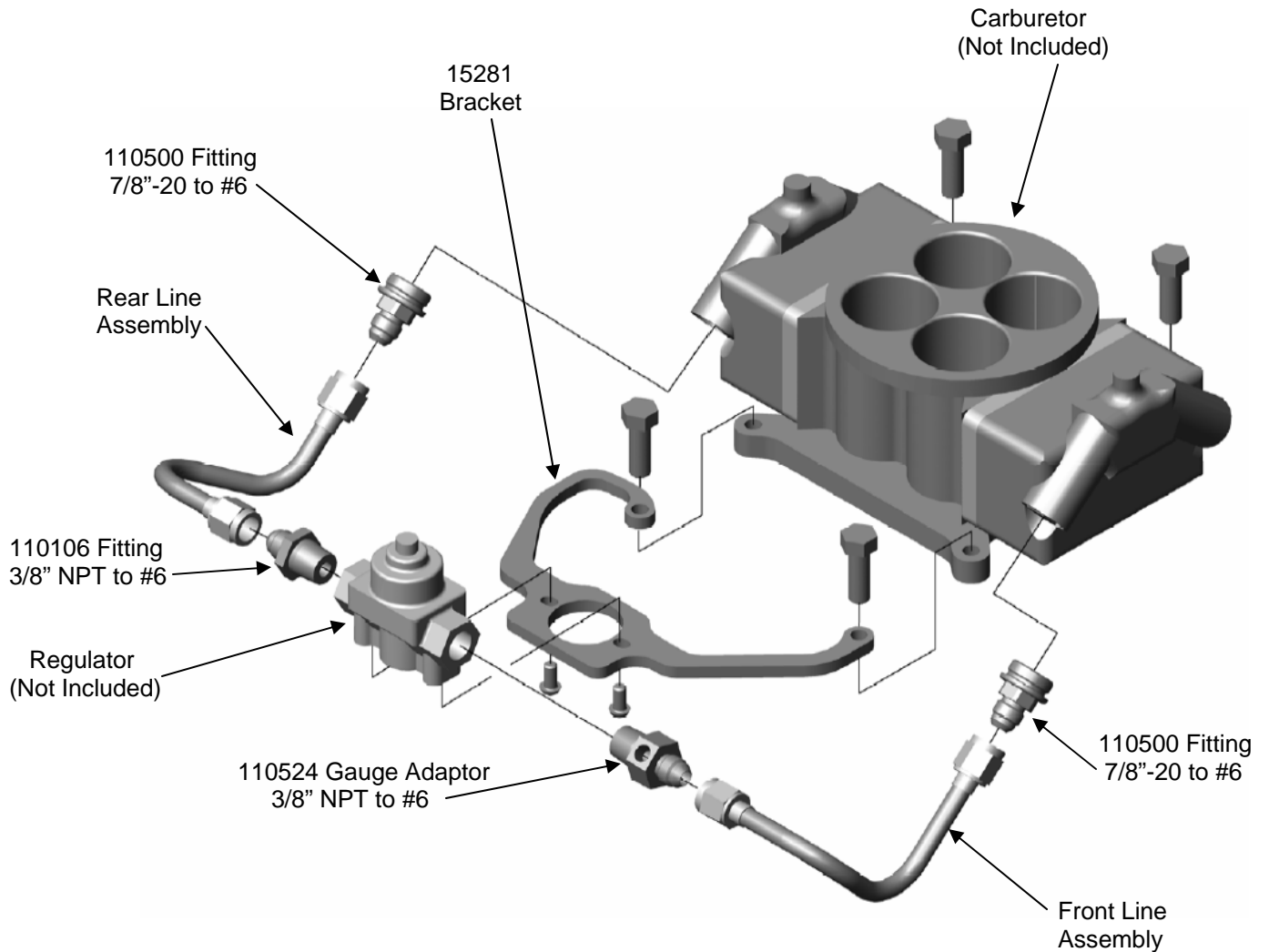
Installation Instructions for 15081 Stainless Steel Hard Line Kit

For 4150 style carburetors.

BE CAREFUL – DO NOT OVERTIGHTEN THE THREADED FITTINGS! Use a Teflon thread sealing compound to avoid leaks and to guard against galling of threads.

WARNING!

Check for leaks before starting your vehicle. Take precautions when working with gasoline – It is a fire hazard and is potentially explosive.



1-800-345-4545 jeps.com