

# **Installation Instructions for 10320 Battery Disconnect Switch**

## **General Information:**

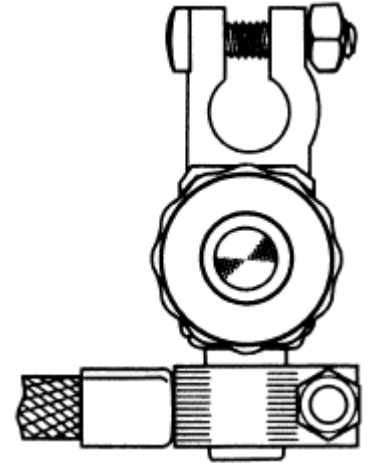
A theft deterrent device for unattended vehicles. Either rotate the knob a few turns counter clockwise (loosen) or completely remove the knob to disconnect power to the starter.

## **CAUTION:**

Read all of the instructions before beginning the installation. Always wear eye protection. Keep cigarettes, flame or sparks away from the battery. Batteries can explode due to the production of explosive gases. Do not attempt to engage or disengage the switch while the starter motor is in operation. The battery could explode if gases are present. This disconnect is intended to be used to cut power after the vehicles engine has been turned off. Only use in a well ventilated area. This item is not approved or intended for Marine use.

## **Top Mount Batteries Installation Instructions**

- Read all of the instructions before beginning the installation.
- Remove the negative battery cable from the battery.
- Install the battery disconnect onto the negative post of the battery (the battery disconnect will not fit onto the much larger positive post).
- Completely remove the knob by rotating it counter clockwise.
- Install the negative battery cable onto the male end of the battery disconnect.
- Re-install the knob by rotating it clockwise before attempting to start the engine.



## **Side Mount Batteries Installation Instructions**

- Read all of the instructions before beginning the installation.
- Remove the negative battery cable from the battery.
- Install the negative side mount post adapter to the negative post of the battery (#555-10322 purchased separately).
- Install the battery disconnect onto the negative post adapter from the previous step.
- Completely remove the knob by rotating it counter clockwise.
- Remove the original side mount bolt from the negative battery cable. Install the negative battery cable onto the male end of the battery disconnect by using a 5/16" x 1-1/4" bolt (Not Included) and nut.
- Re-install the knob by rotating it clockwise before attempting to start the engine.

